

# SCRATCH RESISTANCE LED LIGHT PANEL



- **MLB** • Designed for high-end cabinets and boutique shelving

## Features

- The light panel is designed to double side litted, thickness only 16mm. And the surface is scratch resistance, products can be putted directly on the light panel.
- Built-in DC socket for easy to power in, no other wiring processing.
- Built-in RGBW controller, with 20 modes and 22 kinds of static lights, dimming is also available.

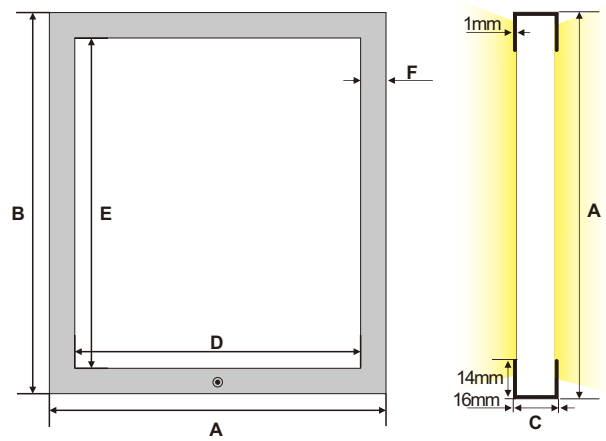


## Panel Parameters

|                  |                |
|------------------|----------------|
| Part No.         | C01S0056       |
| Input Voltage    | DC12V          |
| Power Efficiency | ≥0.9           |
| Input Power      | 2×4W±10%       |
| Light Source     | 5050           |
| IP Rating        | IP20           |
| Work Temp.       | -15~+50°C      |
| Storage Temp.    | -30~+65°C      |
| Color Temp.      | RGBW-3000K     |
| Frame Material   | Aluminium      |
| Color            | White / Silver |
| Lamp Life        | 50,000 hours   |

## Controller Parameters

|                         |                         |
|-------------------------|-------------------------|
| Dynamic mode            | 22 modes                |
| Static Color            | 20 colors               |
| PWM Grade               | 256 levels              |
| Brightness Grade        | 10 levels               |
| Speed Grade             | 10 levels               |
| Demo mode               | Yes                     |
| Direct Color Select     | Yes                     |
| Output Color Switchable | Yes, 7 option           |
| Working Voltage         | DC 5~24V                |
| Output Current          | 3X4A peak, 3X2A constan |
| Remote frequency        | 433.92 MHz              |
| Remote distance         | >15m at open area       |



Front View

## Application

Widely used in high-end refrigerator lighting, exhibition display lighting and interior decoration lighting, etc.

| Product Size(mm) | A   | B   | C  | D   | E   | F  |
|------------------|-----|-----|----|-----|-----|----|
| 278×390×16       | 278 | 390 | 16 | 250 | 362 | 14 |
| 272×370×16       | 272 | 370 | 16 | 244 | 342 | 14 |